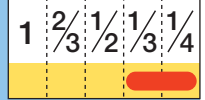




**For Security
Vari-Focal**

Applicable camera (model)

YV2.8×2.8LA-2



2.8×



VARI
Vari-Focal

WIDE
Wide Angle

MANUAL
Manual Iris

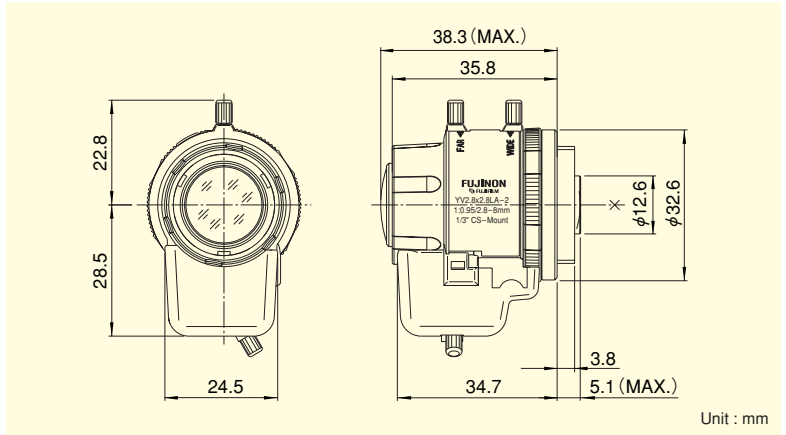
CS-mt
CS Mount

METAL
Metal Mount

ND
ND Filter

AT
Aspherical Lens

F0.95
Wide Aperture Rate



- Unparalleled brightness at the maximum aperture of F0.95, optimizing the performance at low lighting intensity.
- WIDE2.8mm, achieving the horizontal field angle of 99 degrees (when used on 1/3 cameras).
- Compact and lightweight design, best suited for the use with dome cameras.
- High accuracy aspheric lens adopted, achieving the high quality image.
- Built-in ND filter of T360, supporting high sensitivity cameras.

VARI-FOCAL LENSES

Focal Length (mm)		2.8~8 (2.8×)	
Iris Range		F0.95 ~ T360·C	
Operation	Zoom	Manual	
	Focus	Manual	
	Iris	Manual	
Angle Of View (H×V)	1/3"	WIDE	99°52' × 73°17'
		TELE	35°14' × 26°24'
	1/4"	WIDE	73°17' × 54°19'
		TELE	26°24' × 19°47'
Focusing Range (From Front Of The Lens) (m)		∞ ~ 0.3	
Object Dimensions at M.O.D. (H×V) (mm)	1/3"	WIDE	736 × 459
		TELE	196 × 145
	1/4"	WIDE	459 × 317
		TELE	145 × 108
Back Focal Distance (in air) (mm)		7.51	
Exit Pupil Position (From Image Plane) (mm)		91	
Filter Thread (mm)		—	
Mount		CS	
Mass (g)		35	
Remarks		•With Metal Mount	

[Lens Image]

