

# MicroBrite™ LL232 Expandable Series

## High Performance Line Lights




### Product Highlights

- Fresnel lens; great for generating a narrow, uniform line at close working distance
- Compact form factor
- May be used for line or area scan applications
- Expandable in increments of 50mm; up to 750mm

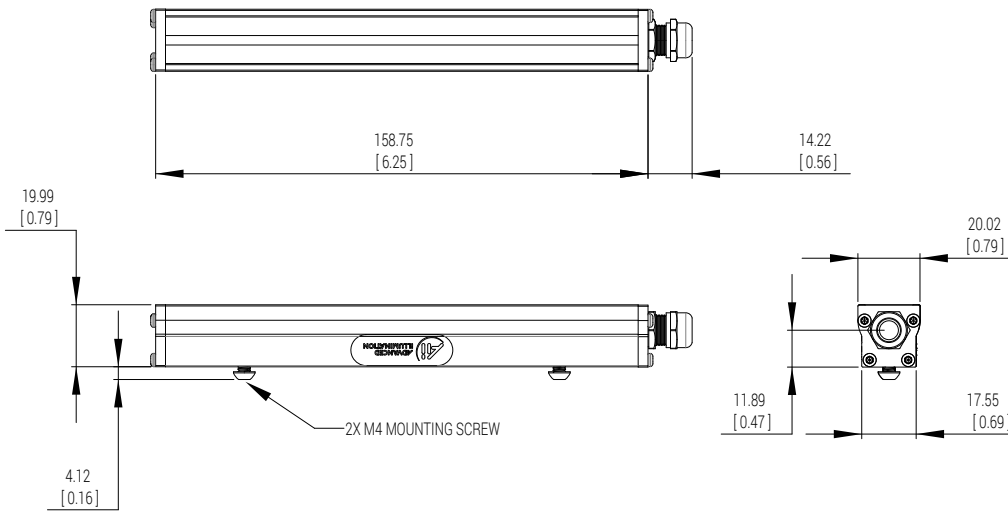


### General Specifications

	Color	24v Current	All Other Controls
Electrical Specifications	455, WHI	0.12 A Per 50mm	0.15 A Max Per 50mm <sup>1</sup>
	660, 730	0.12 A Per 50mm	0.13 A Max Per 50mm <sup>1</sup>
	850, 940	0.12 A Per 50mm	0.12 A Max Per 50mm <sup>1</sup>
Normal Operating Temperature	0 - 60°C		
Weight (g)	Varies by size; LL232-150 unit is 86.2g (3.04oz)		
Standard Cable Information	Up to 2 meters (80") long - 105°C rated PVC jacket, foil shield with drain.		
Photobiological Risk Factor IEC 62471	Exempt Applicable Wavelengths: 850, 940 Group 1 (Low-Risk) Applicable Wavelengths: 455, 660, 730, WHI		
Compliance			
IP Rating	IP50		
Lumen Maintenance	L70 = 50,000 hours		

<sup>1</sup> Estimated values

## Mechanical Specifications



DIMENSIONS ARE IN MILLIMETERS [INCHES]

Part #	Length in mm [inches]
LL232-050	64.0 [2.25]
LL232-100	114.8 [4.25]
LL232-150	165.6 [6.25]
LL232-200	216.4 [8.25]
LL232-250	267.2 [10.25]
LL232-300	318.0 [12.25]
LL232-350	368.8 [14.25]
LL232-400	419.6 [16.25]
LL232-450	470.4 [18.25]
LL232-500	521.2 [20.25]
LL232-550	572.0 [22.25]
LL232-600	622.8 [24.25]
LL232-650	673.6 [26.25]
LL232-700	724.4 [28.25]
LL232-750	775.2 [30.25]

## Part Number Key

Model	—	Lighted Length	Spectral Wavelength	Connector/Control	—	Alternative Connector
<b>LL232</b>	<b>—</b>	<b>XXX</b>	<b>XXX</b>	<b>XX</b>	<b>—</b>	<b>XXX</b>
LL232		Increments of 50mm; 050 to 750	(royal blue) 455 (red) 660 (infra-red) 730 (infra-red) 850 (infra-red) 940 (white) WHI	C1 C5 IC I3 I3S 24		M12 <sup>1</sup>
Ex: LL232-050WHIC1 LL232-200660IC-M12		<sup>1</sup> Available with IC, I3, I3S, and 24v options only				

**Stock Product:** *shipped next day*

**Build to Order:** *shipped in two weeks*

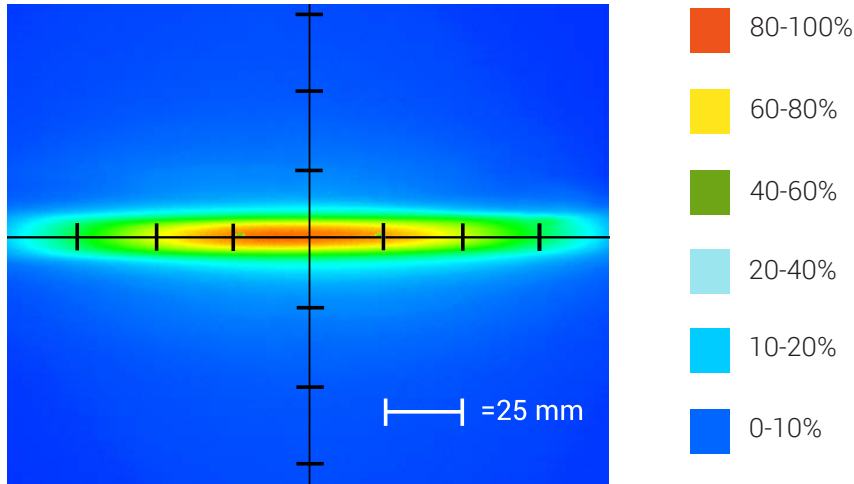
None

## Connector | Control Options

C1 Connector	C5 Connector	ICS 2 (IC)	ICS 3 (I3)	ICS 3S (I3S)	24
For use with: <b>DCS Series Controllers</b>	For use with: <b>Pulsar 320 Strobe Controller.</b>	Continous in-line controller  Powered with: <b>24V power supply</b>	Combination strobe/continous in-line controller  Powered with: <b>24V power supply</b>	Default-OFF strobe/continous in-line controller  Powered with: <b>24V power supply</b>	Flying/tinned leads  Powered with: <b>24V power supply</b>

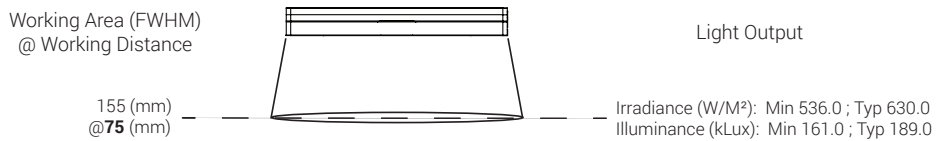
## Optical Performance

### Intensity Distribution



Optical measurement taken using LL232-150WHIIC @ 75mm

### Area of Illuminance & Intensity



## Operation and Wiring

### ICS 2 (IC)

Pin (M12)	Function	Wire Color
1	+24 VDC	Brown
2	0-10 VDC Analog Control	White
3	GND	Blue
4	GLO	Black
5	N/A	Gray

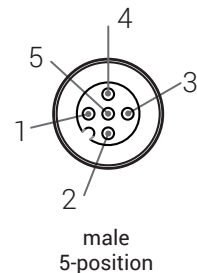
### ICS 3 (I3 and I3S)

Pin (M12)	Function	Wire Color
1	+24 VDC	Brown
2	Reserved	White
3	GND	Blue
4	PNP/Active High Trigger	Black
5	0-10 VDC Analog Control	Gray

### 24 Volt

Pin (M12)	Function	Wire Color
1	+24 VDC	Brown
2	N/A	White
3	-24 VDC	Blue
4	N/A	Black
5	N/A	Gray

### Optional M12 Pinout



## Warranty Information

Every Advanced illumination, Inc. (Ai) product is thoroughly inspected and tested before leaving the factory. Products are warranted to be free of defects in workmanship and materials for a period of two years from the original date of purchase. Should a defect develop during this period, please contact Ai Customer Service or your Ai distributor for a Return Merchandise Authorization (RMA), and return the complete product, freight prepaid, to Ai. If a defect is found, Ai will - at our discretion - repair or replace the product without charge. Ai claims no liability for any implied warranties, including "merchantability" and "fitness for a specific purpose."

## Electromagnetic Compatibility

This product was tested and complies with the regulatory requirements and limits for electromagnetic compatibility (EMC) as stated in the product specifications. These requirements and limits are designed to provide reasonable protection against harmful interference only when the product is operated in its intended industrial electromagnetic environment. To minimize the potential for electromagnetic interference or unacceptable performance degradation, install and use this product in strict accordance with the instructions in the product documentation.

## Customer Service

For information on existing orders, or to make an order adjustment, contact us Monday through Friday 8:00 am to 5:00 pm ET or send an email to [orders@advill.com](mailto:orders@advill.com).

## Company Information

### **Advanced Illumination**

440 State Garage Road, Rochester VT. 05767

Phone: 802.767.3830

Fax: 802.767.3831

Email: [info@advancedillumination.com](mailto:info@advancedillumination.com)

Web: [advancedillumination.com](http://advancedillumination.com)

© 2015 Advanced Illumination Inc. All rights reserved