

❖ **GO-2400-PMCL**
2.35-megapixel CMOS global shutter



- *2.35-megapixel 1/1.2" CMOS imager (global shutter)*
- *Up to 165.5 fps at full resolution (RGB output up to 34.8 fps)*
- *5.86 μm square pixels*
- *Small size (29 x 29 x 41.5 mm, excluding lens mount)*
- *8/10/12-bit* output in choice of monochrome or color models*
- *Exposure control from 15 μs to 8 seconds in 1 μs steps*
- *2X binning for increased sensitivity (monochrome only)*
- *Single and multi-ROI modes for increasing frame rate and use of smaller optics*
- *Automatic Level Control (ALC) for dynamic lighting conditions*
- *Accepts power over Camera Link interface or separate 4-pin connector*
- *C-mount lens mount*

* Some video processing functions not available with 12-bit output

Specifications for GO-2400-PMCL

Go Series

Specifications		GO-2400-PMCL
Sensor		1/1.2" CMOS Global Shutter (IMX174)
System clock		74.25 MHz (for pulse generator)
Frame rate (Full frame)		165.5 frames/sec (8-bit, continuous)
Active area		11.3 mm (h) x 7.13 mm (v) – 13.4mm (diagonal)
Cell size		5.86 μm (h) x 5.86 μm (v)
Active pixels		1936 (h) x 1216 (v)
Read-out modes		Full ROI: 1936 (h) x 1216 (v) up to 165.5 fps ‡ 2 lines to 1216 lines (1 or 2 line steps), 96 to 1936 pixels wide (16 pixel steps)
Binning		1x2, 2x2, 2x1 (monochrome only)
EMVA 1288 Parameters		12-bit output format
Absolute sensitivity (mono)		9.45 p (λ = 525 nm)
Absolute sensitivity (color)		10.68 (λ = 525 nm)
Maximum SNR (mono)		45.16 dB
Maximum SNR (color)		45.17 dB
Traditional SNR*		mono: > 60dB @10-bit (0 dB gain, non-linear) color: > 60dB @10-bit (0 dB gain, green, non-linear)
Video signal output		mono: 8/10/12-bit monochrome** color: 8/10/12-bit raw Bayer** 8/10/12-bit RGB (24/30/36-bit output)**
Gain control		Manual/auto 0 dB to +24 dB
White balance (GO-2400C)		Manual/one-push auto, or continuous (3000K to 9000K)
Gamma		0.45, 0.6, 1.0 or 256-point LUT
Synchronization		Internal
Video modes		Normal, Single ROI, Multi ROI, Sequence (Trigger & Command)
Trigger input		TTL, Camera Link (CC1), NAND (2), Pulse Generator, Software
Trigger modes		Timed (EPS), Trigger Width, Sequence
Electronic shutter		Min: 15 μs (8-bit), 19 μs (10-bit), 20 μs (RGB) Max: 8 s (Timed) or infinite (Trigger Width)
Auto level control (ALC)		Shutter range from 1/165 to 1/10000, gain range from 0 dB to +24 dB Tracking speeds and max values adjustable
Pre-processing functions		Shading correction, blemish comp. (256 pixels)
Lens control		P-Iris, video iris (optional configuration†)
Operating temperature		-5°C to +45°C
Storage temperature		-25°C to +60°C
Humidity		20 – 80% non-condensing
Vibration		10G (20 Hz to 200 Hz XYZ)
Shock		80 G
Regulations		CE (EN 61000-6-2, EN 61000-6-3), FCC part 15 class B, RoHS/WEEE
Power		12V to 24V DC ± 10%. 2.76W typical @ 12V (12V ± 1V DC via PoCL)
Lens mount		C-mount
Dimensions (H x W x L)		29 mm x 29 mm x 41.5 mm (excl. lens mount)
Weight		46g

Ordering Information

GO-2400M-PMCL	Monochrome camera with Mini Camera Link
GO-2400C-PMCL	Color camera with Mini Camera Link

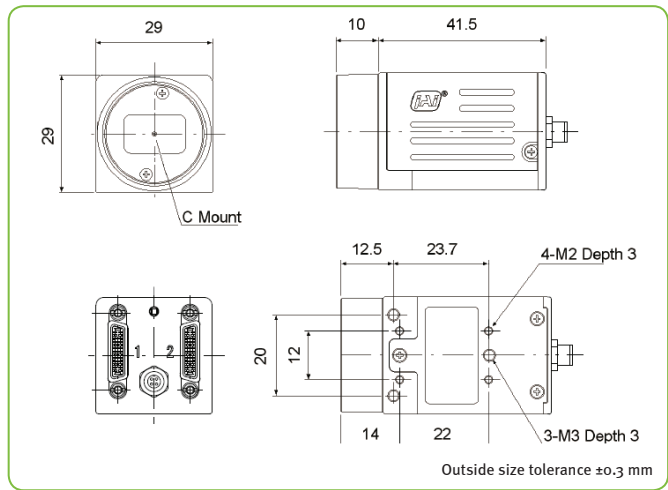
* Traditional SNR is based on random noise in a single frame, where EMVA SNR measurements consider more comprehensive noise sources and variance over time. For a more complete description, see the manual.

† Uses 4-pin connector for P-iris control. 4-pin cannot be used for power or TTL in/out in this configuration. Use ordering number GO-2400M-PMCL-AUX1 (monochrome only).

** 12-bit mono output/36-bit RGB available only in video process bypass mode. See manual for details.

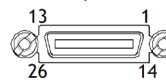
‡ Maximum frame rate for RGB output is 34.8 fps @ 24-bit.

Dimensions



Connector pin-out

Mini-CL Interface Interface 1



Pin	Signal	Function
1	26	Power +11V to +13V DC in
13	14	GND Power return
2	15	-/+ TxOUT 0
3	16	-/+ TxOUT 1
4	17	-/+ TxOUT 2
5	18	-/+ TxClk
6	19	-/+ TxOUT 3
7	20	+/- RXD Serial in
8	21	-/+ TXD Serial out
9	22	CC1-/CC1+ Ext. trigger
10	23	CC2+/CC2- Reserved
11	24	CC3-/CC3+ Not used
12	25	CC4+/CC4- Not used

For Medium and Full implementations a second Mini-CL interface is provided. Video Channel 2 is on pin pairs (2,15), (3,16), (4,17), (5,18), and (6,19). Video Channel 3 is on pin pairs (8,21), (9,22), (10,23), (11,24), and (12,25). Consult manual for Specific bit depths and pin assignments.

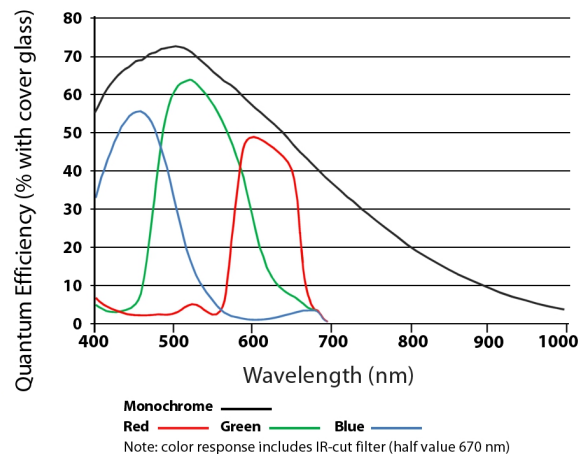
DC In / Trigger



09-3111-81-04 (Binder)

Pin	Signal
1	+12V to +24V DC Input
2	TTL In (Line 4)
3	TTL Out (Line 1)
4	GND

Spectral Response



Europe, Middle East & Africa
Phone +45 4457 8888
Fax +45 4491 3252

Asia Pacific
Phone +81 45 440 0154
Fax +81 45 440 0166

Americas
Phone (Toll-Free) 1 800 445 5444
Phone +1 408 383 0300

Visit our web site on www.jai.com

See the possibilities

