



**For Security
Vari-Focal**

MP⁺
MEGA
PIXELS

YV2.8×2.8SA-SA2

Applicable camera (model)

1 2/3 1/2 1/3 1/4

2.8×



VARI
Vari-Focal

WIDE
Wide Angle

3 Mega
For Megapixel
Camera

DC
DC Auto Iris

CS-mt
CS Mount

METAL
Metal Mount

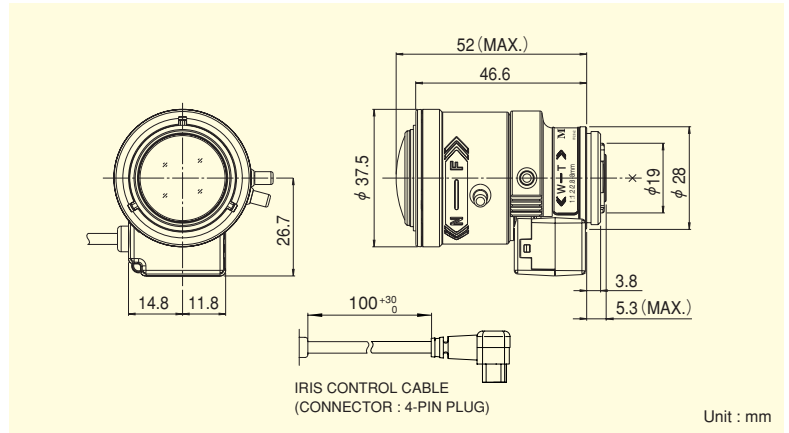
N D
ND Filter

230
Long Cable

AT
Aspherical Lens

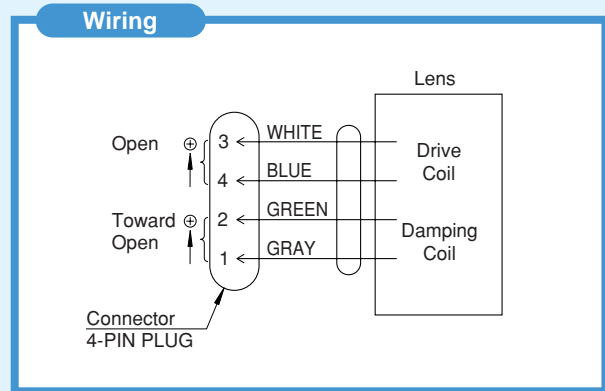
F1.2
Wide Aperture Rate

- High image-quality monitoring with optical performance supporting 3 megapixels.
- WIDE 2.8mm, achieving a horizontal field angle of 100 degrees (when used on 1/3 cameras).
- Compact and lightweight design, best suited for use with dome cameras.
- Designed to maximize optical performance with high-accuracy aspheric lens, low-dispersion glass, and high refractive-index glass.
- Built-in ND filter of T360, supporting high sensitivity cameras.



MEGAPIXEL VARI-FOCAL LENSES MP⁺

Focal Length (mm)		2.8~8 (2.8×)	
Iris Range		F1.2 ~ T360 (Equivalent to F360)	
Operation	Zoom	Manual	
	Focus	Manual	
	Iris	Auto (DC Type) (*1)	
Angle Of View (H×V)	1/3"	WIDE	100°00' × 73°45'
		TELE	35°03' × 26°18'
	1/4"	WIDE	73°45' × 54°49'
		TELE	26°18' × 19°44'
Focusing Range (From Front Of The Lens) (m)		∞ ~ 0.3	
Object Dimensions at M.O.D. (H×V) (mm)	1/3"	WIDE	744 × 468
		TELE	197 × 146
	1/4"	WIDE	468 × 323
		TELE	146 × 108
Back Focal Distance (in air) (mm)		7.70	
Exit Pupil Position (From Image Plane) (mm)		314	
Filter Thread (mm)		—	
Mount		CS	
Mass (g)		50	
Coil Resistance		Drive Coil	190Ω
		Damping Coil	500Ω
Current Consumption		23mA (Max.) at DC 4V	
Remarks		<ul style="list-style-type: none"> • With Metal Mount (*1) When power is turned off, iris will automatically close. YV2.8×2.8SA-SA2L : Long Cable Type (230mm) 	



[Lens Image]

