



**For Security
Vari-Focal**

MP³ MEGA PIXELS

YV2.7×2.2SA-SA2

Applicable camera (model)

1 2/3 1/2 1/3 1/4

2.7×



New

VARI
Vari-Focal

WIDE
Wide Angle

3 Mega
For Megapixel
Camera

DC
DC Auto Iris

CS-mt
CS Mount

METAL
Metal Mount

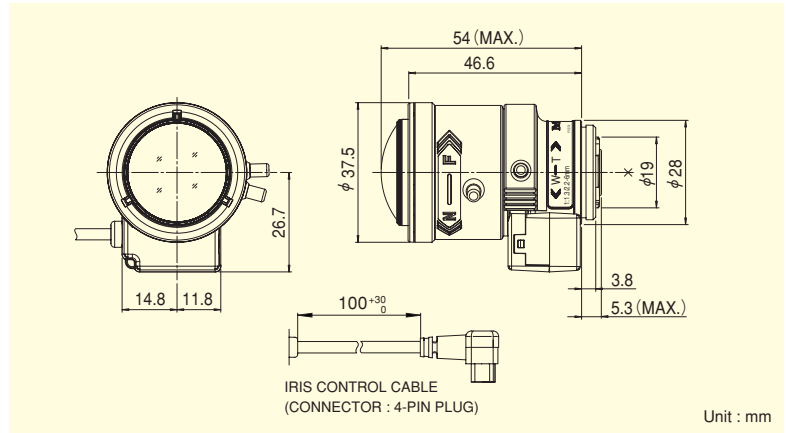
N D
ND Filter

230
Long Cable

AT
Aspherical Lens

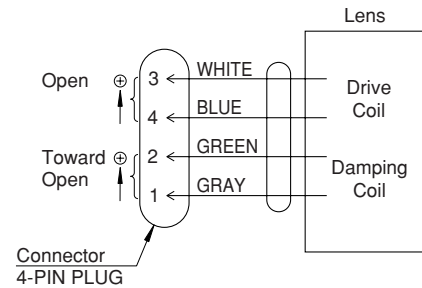
F1.3
Wide Aperture Rate

- High image-quality monitoring with optical performance supporting 3 megapixels.
- WIDE 2.2mm, achieving a horizontal field angle of 120 degrees (when used on 1/3 cameras).
- Compact and lightweight design, best suited for use with dome cameras.
- Designed to maximize optical performance with high-accuracy aspheric lens, low-dispersion glass, and high refractive-index glass.
- Built-in ND filter of T360, supporting high sensitivity cameras.



Focal Length (mm)		2.2~6 (2.7×	
Iris Range		F1.3 ~ T360 (Equivalent to F360)	
Operation	Zoom	Manual	
	Focus	Manual	
	Iris	Auto (DC Type) (*1)	
Angle Of View (H×V)	1/3"	WIDE	120°00' × 91°36'
		TELE	46°26' × 34°59'
	1/4"	WIDE	91°36' × 69°21'
		TELE	34°59' × 26°18'
Focusing Range (From Front Of The Lens) (m)		∞ ~ 0.3	
Object Dimensions at M.O.D. (H×V) (mm)	1/3"	WIDE	1075 × 638
		TELE	266 × 196
	1/4"	WIDE	638 × 429
		TELE	196 × 145
Back Focal Distance (in air) (mm)		7.70	
Exit Pupil Position (From Image Plane) (mm)		-452	
Filter Thread (mm)		—	
Mount		CS	
Mass (g)		55	
Coil Resistance		Drive Coil	190Ω
		Damping Coil	500Ω
Current Consumption		23mA (Max.) at DC 4V	
Remarks		• With Metal Mount (*1) When power is turned off, iris will automatically close. YV2.7×2.2SA-SA2L : Long Cable Type (230mm)	

Wiring



[Lens Image]

2.2mm



6mm



MP³ MEGAPIXEL VARI-FOCAL LENSES