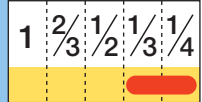




**For Security
Vari-Focal**

Applicable camera (model)

YV2.2×1.4A-2



VARI
Vari-Focal

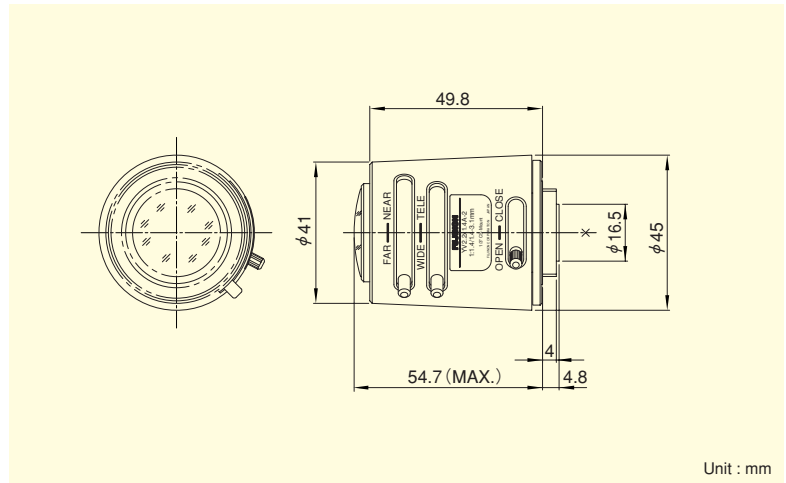
**Fish-Eye
185°**
Fish-Eye

MANUAL
Manual Iris

CS-mt
CS Mount

F1.4
Wide Aperture Rate

Fish-Eye 2.2×

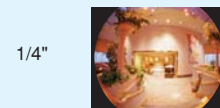
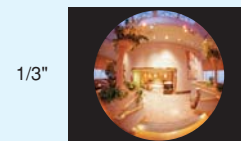


Unit : mm

- Fish-Eye vari-focal lens with the horizontal field angle of 185-94 degrees (when used on 1/3 cameras).
- Wide aperture of F1.4, optimizing the performance at low lighting intensity.

Focal Length (mm)		1.4~3.1 (2.2×)	
Iris Range		F1.4 ~ Close	
Operation	Zoom	Manual	
	Focus	Manual	
	Iris	Manual	
Angle Of View (H×V)	1/3"	WIDE	185° (φ3.45mm)
		TELE	94°47' × 69°26'
	1/4"	WIDE	185° × 121°
		TELE	69°26' × 51°30'
Focusing Range (From Front Of The Lens) (m)		∞ ~ 0.2	
Object Dimensions at M.O.D. (H×V) (mm)	1/3"	WIDE	—
		TELE	448 × 287
	1/4"	WIDE	—
		TELE	287 × 200
Back Focal Distance (in air) (mm)		7.82	
Exit Pupil Position (From Image Plane) (mm)		-45	
Filter Thread (mm)		—	
Mount		CS	
Mass (g)		70	
Remarks			

[Fish-Eye Lens Image]



VARI-FOCAL LENSES