



**For Security
Vari-Focal**

MP¹
MEGA
PIXELS

YV10×5HR4A-2

Applicable camera (model)

1 2/3 1/2 1/3 1/4

10×



*Photograph is a similar model.

- High image-quality monitoring with optical performance supporting 1.3 megapixels.
- Advanced design engineering and special optic glass adopted, best suited for color, Black and White and Day and Night cameras.
- Broad range of f5-50mm, supporting various applications.
- Wide aperture of F1.6, optimizing the performance at low lighting intensity.
- Designed to maximize optical performance with high-accuracy aspheric lens, low-dispersion glass, and high refractive-index glass.

VARI
Vari-Focal

WIDE
Wide Angle

TELE
Telephoto
Long Focal

**1.3
Mega**
For Megapixel
Camera

**Day~
Night**
Day & Night

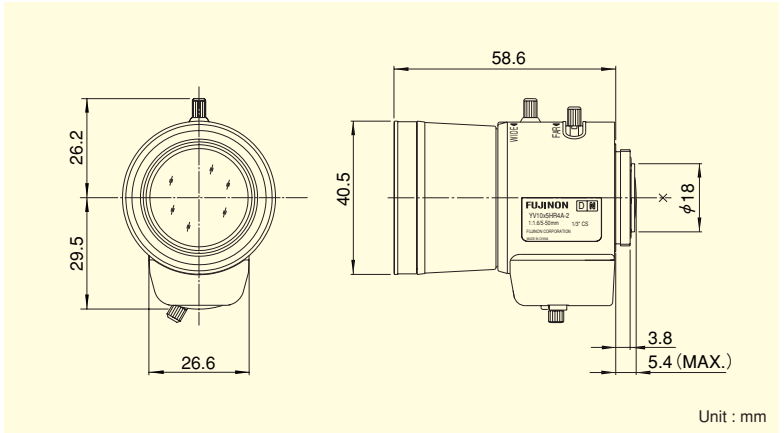
MANUAL
Manual Iris

CS-mt
CS Mount

METAL
Metal Mount

AT
Aspherical Lens

F1.6
Wide Aperture Rate



Unit : mm

MEGAPIXEL VARI-FOCAL LENSES MP¹

Focal Length (mm)		5~50 (10×)	
Iris Range		F1.6 ~ Close	
Operation	Zoom	Manual	
	Focus	Manual	
	Iris	Manual	
Angle Of View (H×V)	1/3"	WIDE	51°17' × 39°36'
		TELE	5°30' × 4°07'
	1/4"	WIDE	39°36' × 30°13'
		TELE	4°07' × 3°06'
Focusing Range (From Front Of The Lens) (m)		∞ ~ 0.3	
Object Dimensions at M.O.D. (H×V) (mm)	1/3"	WIDE	304 × 228
		TELE	54 × 41
	1/4"	WIDE	228 × 171
		TELE	41 × 31
Back Focal Distance (in air) (mm)		7.50	
Exit Pupil Position (From Image Plane) (mm)		-43	
Filter Thread (mm)		—	
Mount		CS	
Mass (g)		80	
Remarks	• With Metal Mount		

[Lens Image]

